



NEW BASE STYLE

400 ton / 800 ton Gantry System

CAPACITY:

4 Point - 48A

800 (725) Tons to 15'8" (4794 mm)
597 (541) Tons to 21'6" (6572 mm)
402 (364) Tons to 27'4-3/4" (8350 mm)

2 Point - 24A

400 (362) Tons to 15'8" (4794 mm)
298 (270) Tons to 21'6" (6572 mm)
201 (180) Tons to 27'4-3/4" (8350 mm)

Max. Operating PSI: 2000 (138 bar)

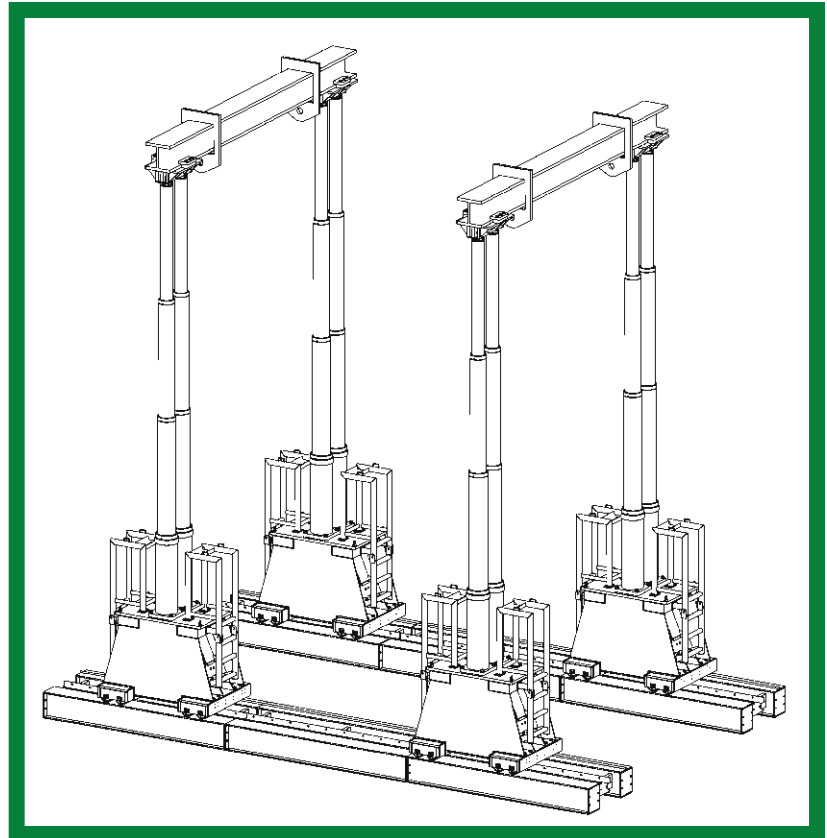
BASE DIMENSIONS:

Length: 73 1/2" (1867 mm)
Width: 48" (1229 mm)
Height Retracted: 9'10-3/4" (3016 mm)
Weight: 11000 lbs. (4994 kg)

POWER UNITS:

Two 400 gallon (1514 L) Power Units per four point system
Power Options: Diesel, Gasoline, Propane, Electric (3 phase, 440 Volt, 60 Hz; or 3 Phase, 380 Volt, 50Hz)

Length: 101" (2565mm)
Width: 69" (1753 mm)
Height: 54" (1372 mm)
Weight Each: 5835 lbs. (2647 kg)



STANDARD FEATURES

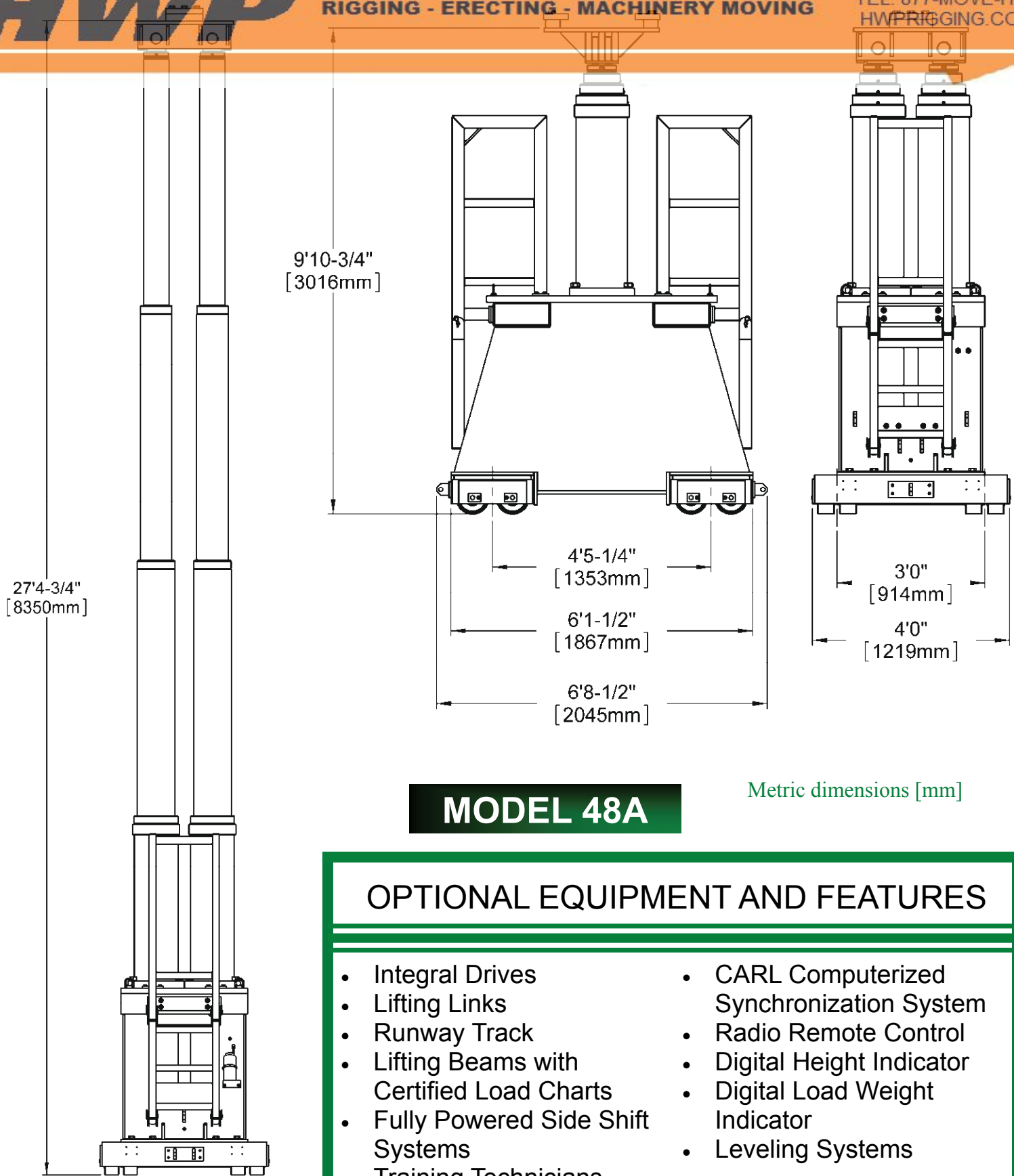
- Double acting cylinders
- Safety holding valves

LIFT SYSTEMS, INC.

OFFICE: 1505 - 7th Street
East Moline, IL 61244

MAILING ADDRESS: P.O. Box 906
Moline, IL 61266

TEL: +1-309-764-9842
FAX: +1-309-764-9848
EMAIL: liftit@lift-systems.com
WEB: www.lift-systems.com



LIFT SYSTEMS, INC.

OFFICE:
1505 - 7th Street
East Moline, IL 61244

MAILING ADDRESS:
P.O. Box 906
Moline, IL 61266

TEL: +1-309-764-9842
FAX: +1-309-764-9848
EMAIL: liftit@lift-systems.com
WEB: www.lift-systems.com